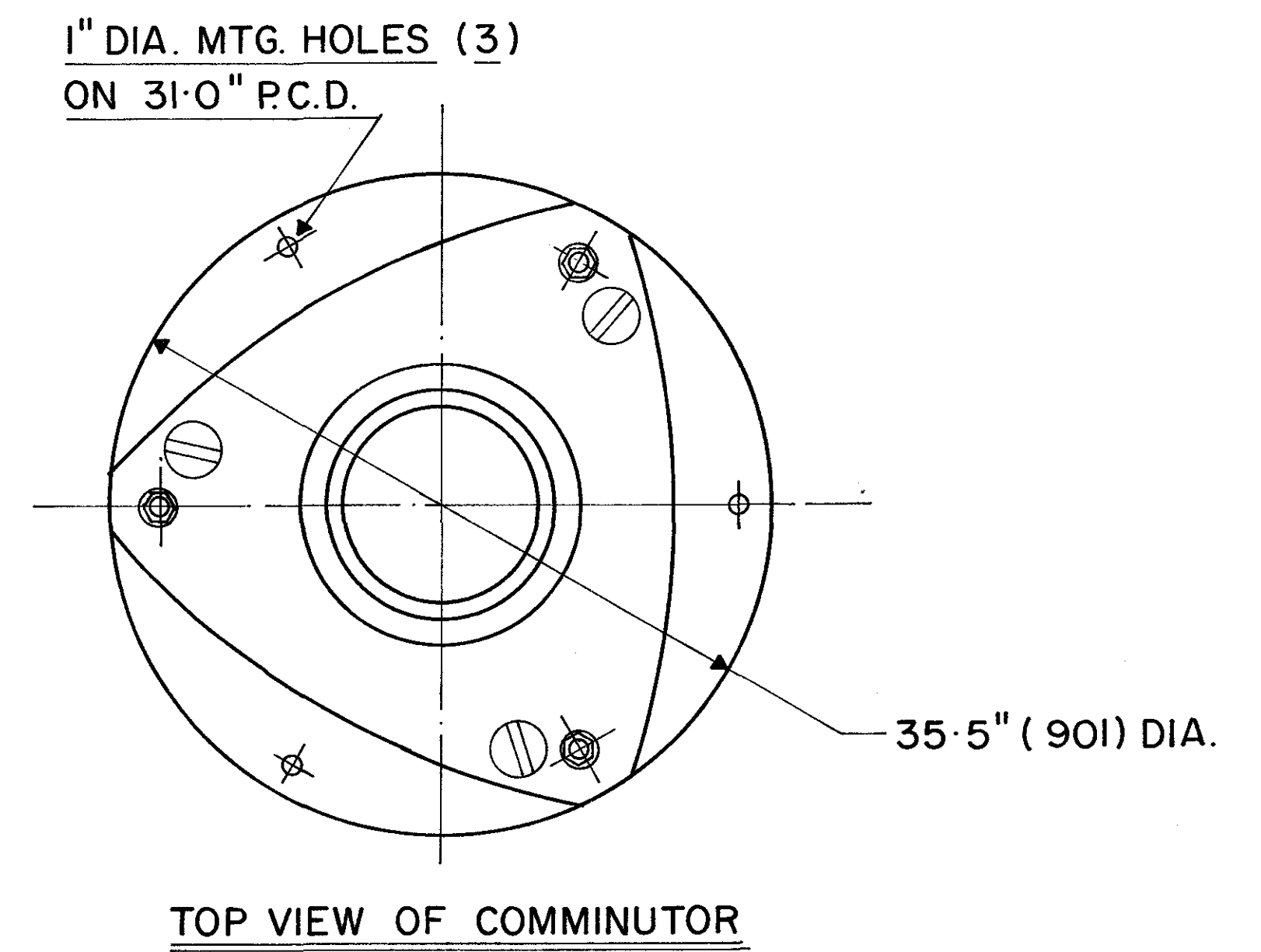
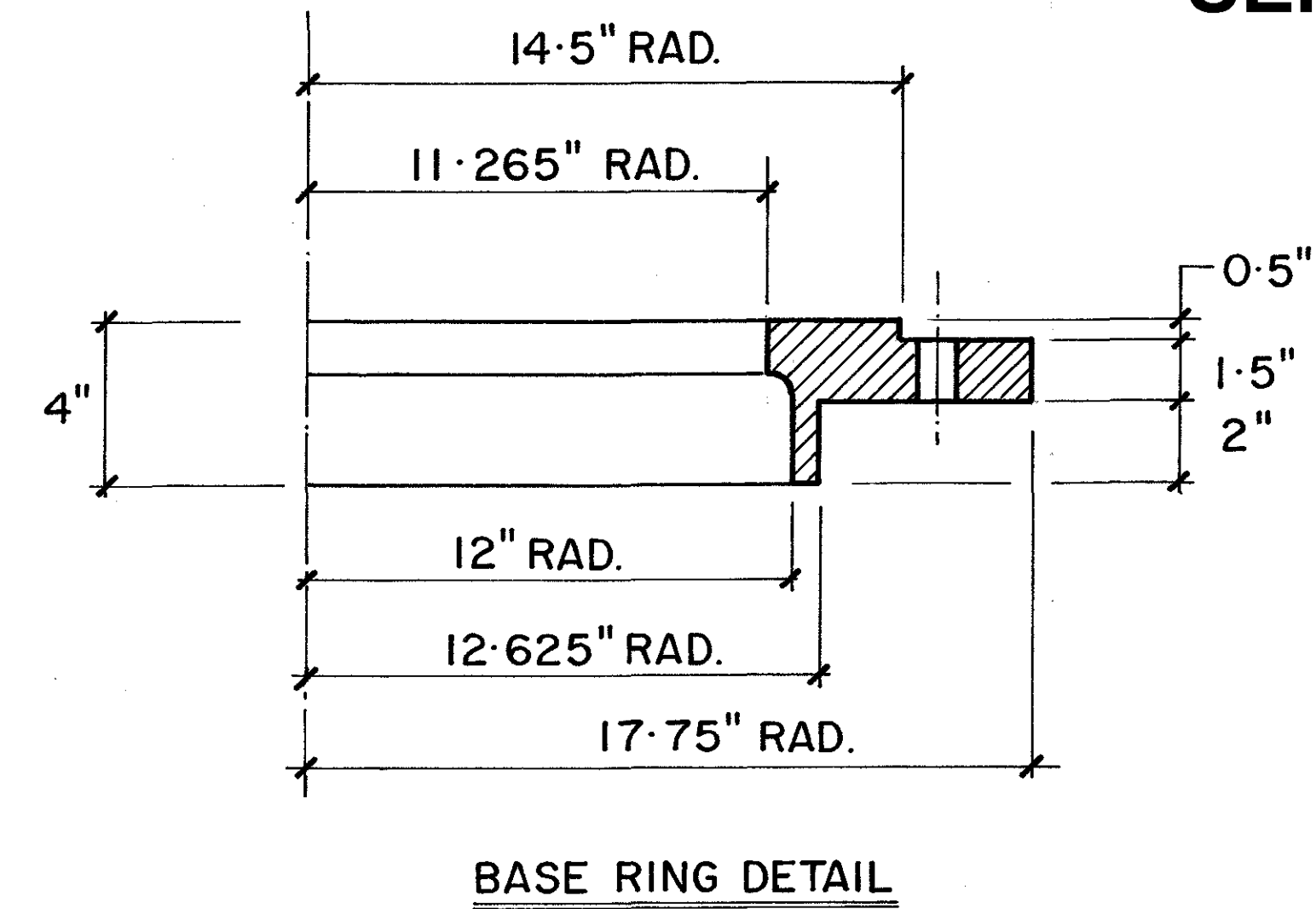
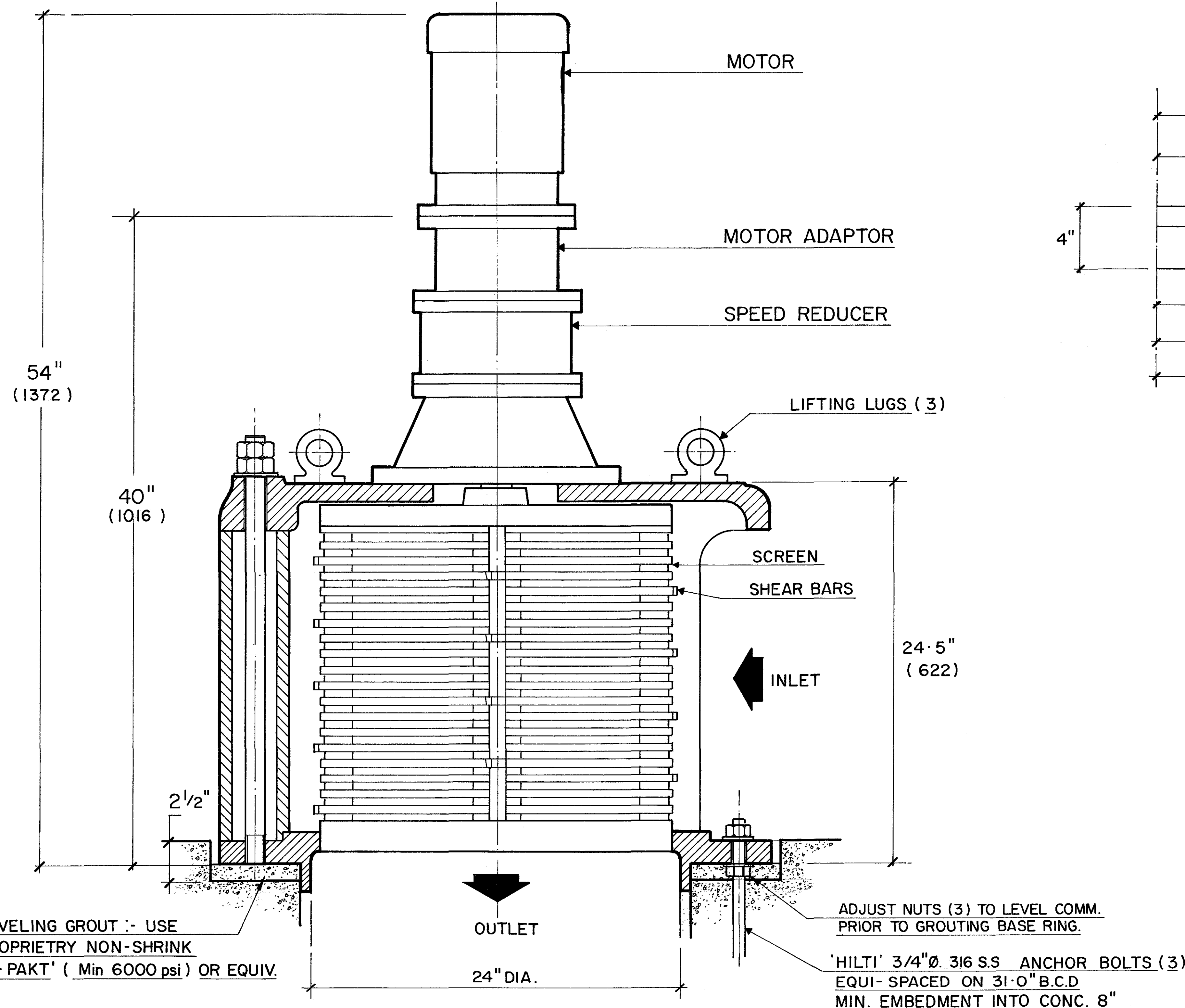


# MODEL 24A STANDARD

SERIAL No. \_\_\_\_\_



LEVELING GROUT :- USE  
PROPRIETRY NON-SHRINK  
'IN-PAKT' ( Min 6000 psi ) OR EQUIV.

ADJUST NUTS (3) TO LEVEL COMM.  
PRIOR TO GROUTING BASE RING.  
  
'HILTI' 3/4"Ø 316 S.S ANCHOR BOLTS (3)  
EQUI- SPACED ON 31.0" B.C.D  
MIN. EMBEDMENT INTO CONC. 8"

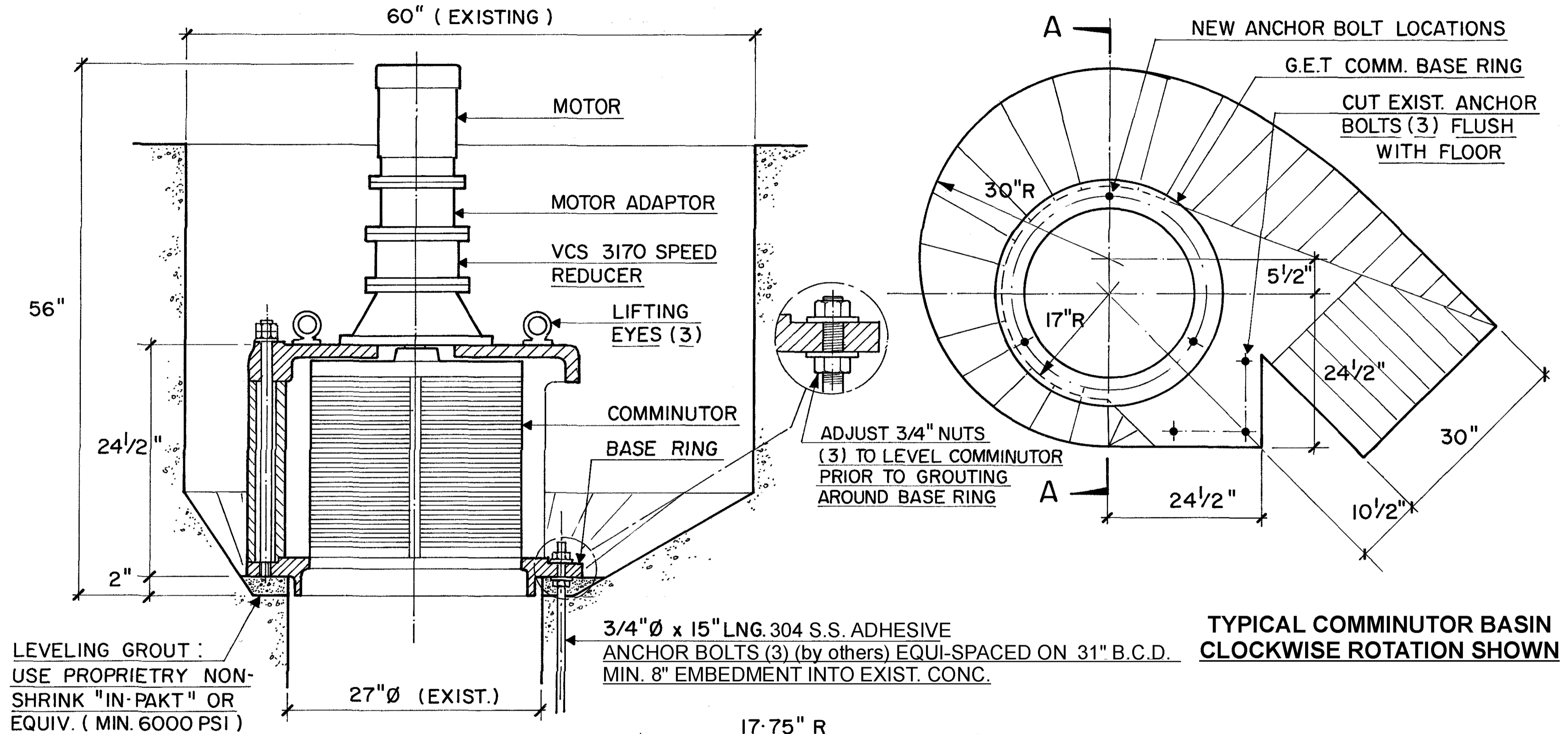
### MATERIALS OF CONSTRUCTION & GENERAL ENGINEERING DATA

<b>HOUSING:</b>	GREY IRON	<b>CAPACITY:</b>	10 MGD (US)/37800 m <sup>3</sup> /day	<b>INLET AREA:</b>	526 sq in 3393 cm sq
<b>DRUM (SCREEN):</b>	DUCTILE IRON (ASTM 536 GRADE 60-45-18)	<b>DRUM SPEED:</b>	30 RPM	<b>OUTLET AREA:</b>	324 sq in 2090 cm sq
<b>SHEAR BARS:</b>	AISI-A2 HIGH ALLOY TOOL STEEL	<b>ROTATION:</b>	CLOCKWISE	<b>DRUM DIAMETER:</b>	22.5 in 572 cm
<b>CUTTING BARS:</b>	AISI-01 TOOL STEEL REVERSIBLE	<b>SLOT WIDTH:</b>	0.470 in / 12 mm	<b>WEIGHT:</b>	1265 lb 574 kg
<b>HARDWARE &amp; FASTENERS:</b>	304 STAINLESS STEEL	<b>NO OF SLOTS:</b>	76		
<b>MOTOR MANUFACTURER:</b>		<b>POWER:</b>	/ /	<b>RPM:</b>	1750
<b>STYLE:</b> TEFC (IP55)	<b>HP:</b> 3	<b>KW:</b> 2.24	<b>FRAME:</b> 182TC	<b>FLANGE:</b> 'C'	<b>RATIO:</b> 59.1
				<b>RATING:</b>	11.1 HP
				<b>SM-CYCLO REDUCER MODEL:</b>	V6170

REVISIONS	BY	DATE	APP.
<b>G.E.T. INDUSTRIES INC.</b>			
(877) 213-7418			
www.grindhog.com			
TOLERANCES			SCALE
± DECIMAL			NTS
± FRACTIONAL			DRAWN BY
± ANGULAR			APPROVED BY
DATE	PROJECT NO.	DRAWING NO.	REV.
		6 0260	

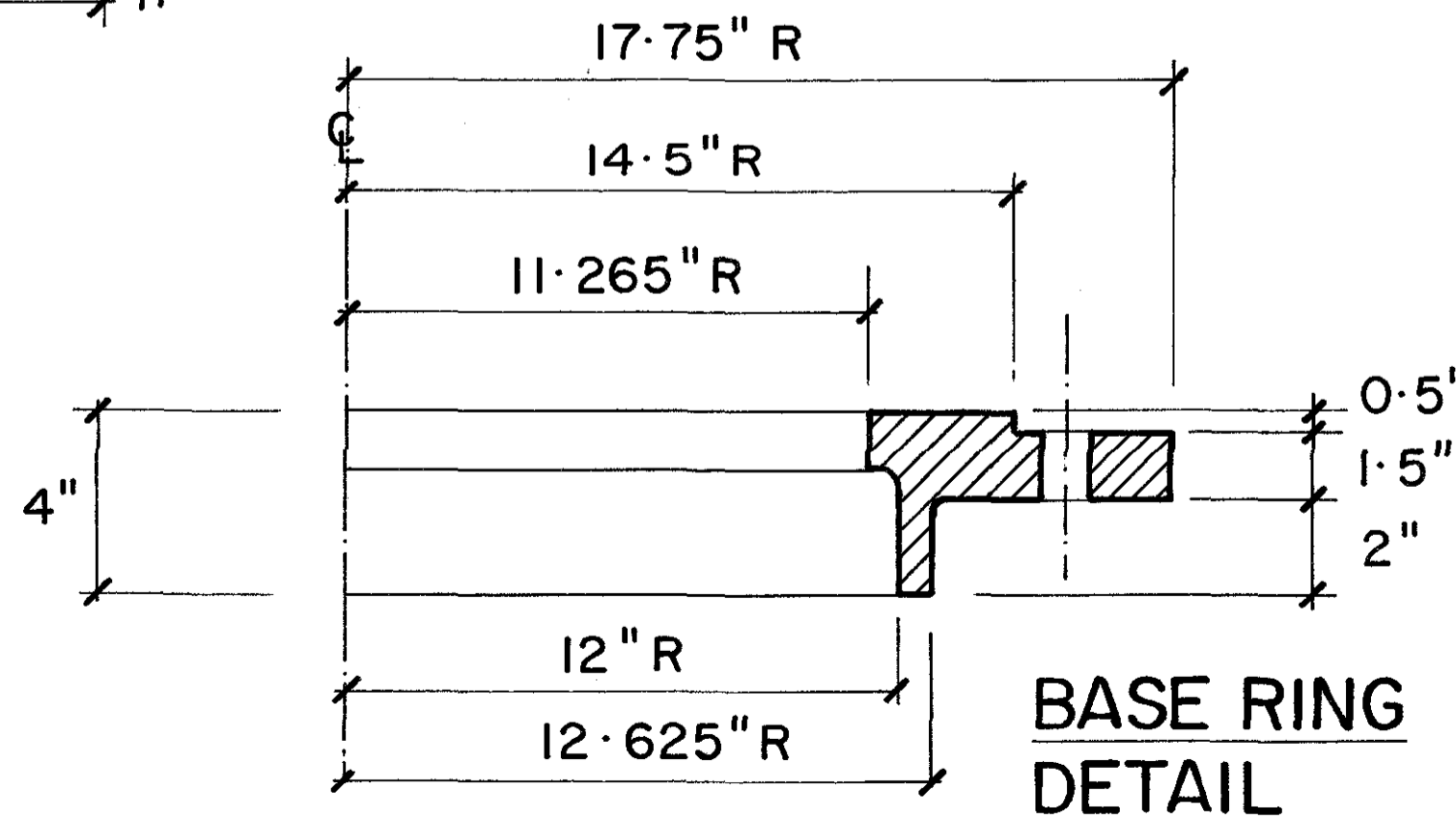
# Grind Hog MODEL 24A (CAPACITY: 10 USMGD)


## REPLACEMENT OF CHICAGO PUMP MODEL 25A



SECTION A-A

COMMINUTOR WEIGHT:  
1265 LB ( 574 KG)



REVISIONS		BY	DATE	APP.
 <b>G.E.T. INDUSTRIES INC.</b> (877) 213-7418 www.grindhog.com				
TOLERANCES				SCALE
+ DECIMAL				DRAWN BY
+ FRACTIONAL				APPROVED BY
+ ANGULAR				
DATE	PROJECT NO.	DRAWING NO.	REV.	
		9 0051		



# RETROFITTING CHICAGO PUMP COMMINUTORS



All models... All installation arrangements





# CHICAGO PUMP COMMINUTOR Retrofit Questionnaire

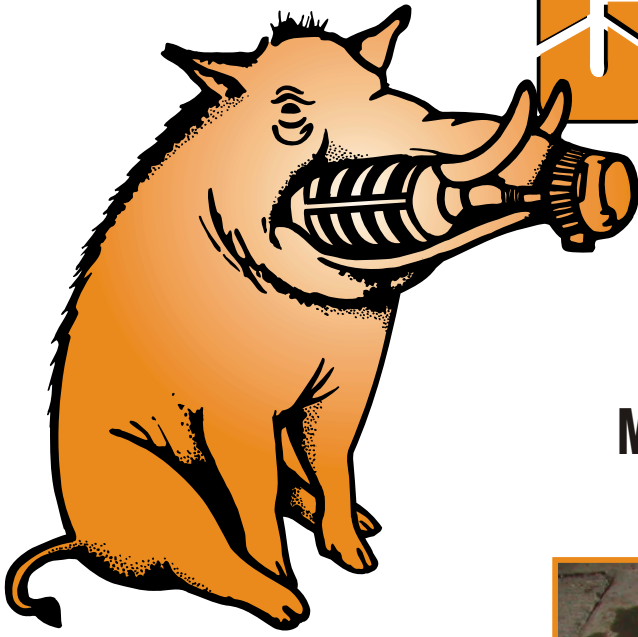


- Model of existing unit
- Existing characteristics of power supply
- Drive arrangement - close coupled, support column - elevated drive
- Photos of current installation
- Desired capacity (gpm) of replacement unit
- Dimensional detail of structure.... (i.e. free discharge or controlled discharge)
- Details of existing Control Panel (if any)
- Distance of the high water mark above the basin floor



**G.E.T. Industries Inc.**

T: 877-213-7418 / [www.grindhog.com](http://www.grindhog.com)



# Grind Hog™

T.M.

## The MDC

Clear, Clean Water and More

### FISHFRY PUMP STATION Metropolitan District of Hartford, CT

Second Generation  
Grind Hog™ 24ASX  
(Two Units)  
2008



Original  
Chicago Pump 25A



**CONTRACTOR**

**RHW** *Since 1923*

R.H. WHITE CONSTRUCTION CO., INC.

Auburn, MA

**ENGINEER**

**CDM**

**CAMP DRESSER & MCKEE, Inc.**

Wethersfield, CT

**G.E.T. INDUSTRIES INC.**

Toll Free: (877) 213-7418  
E-mail: [get@grindhog.com](mailto:get@grindhog.com) ♦ Web: [www.grindhog.com](http://www.grindhog.com)

# Grind Hog™



Town of North Perth  
Sewage Treatment Plant  
Listowel, Ontario  
2000



PREVIOUSLY INSTALLED  
CHICAGO 25A



GRIND HOG™ 24A (10MGD)

## CONTRACTOR

Wellington Construction Inc.  
Palmerston, ON

## ENGINEER

Azurix North America  
Burlington, ON

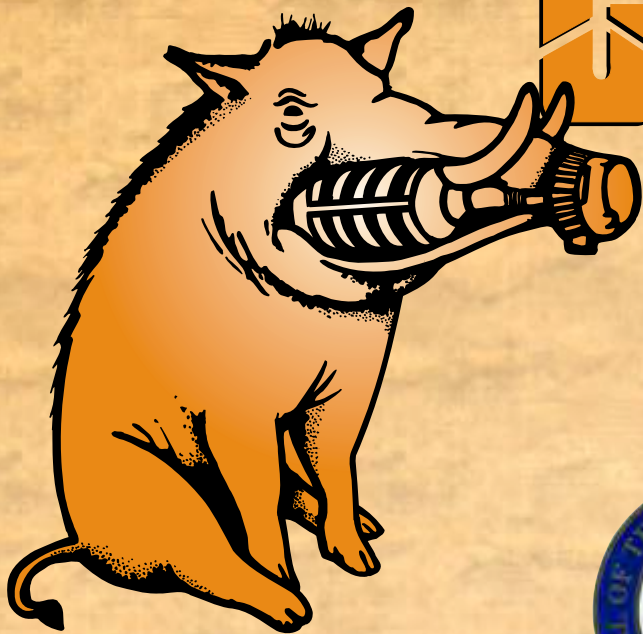


GRIND HOG™  
CONTROLLER

G.E.T. INDUSTRIES INC.

Toll Free: (877) 213-7418  
E-mail: [get@grindhog.com](mailto:get@grindhog.com) ♦ Web: [www.grindhog.com](http://www.grindhog.com)

# Grind Hog<sup>TM</sup>



## CITY OF NEW CASTLE Water Pollution Control Plant NEW CASTLE, INDIANA



**Steve Swoveland,  
Certified Superintendent  
T 765-521-6836**



**Replacing Chicago 25A**



**Grind Hog<sup>TM</sup> 24A (MC)**



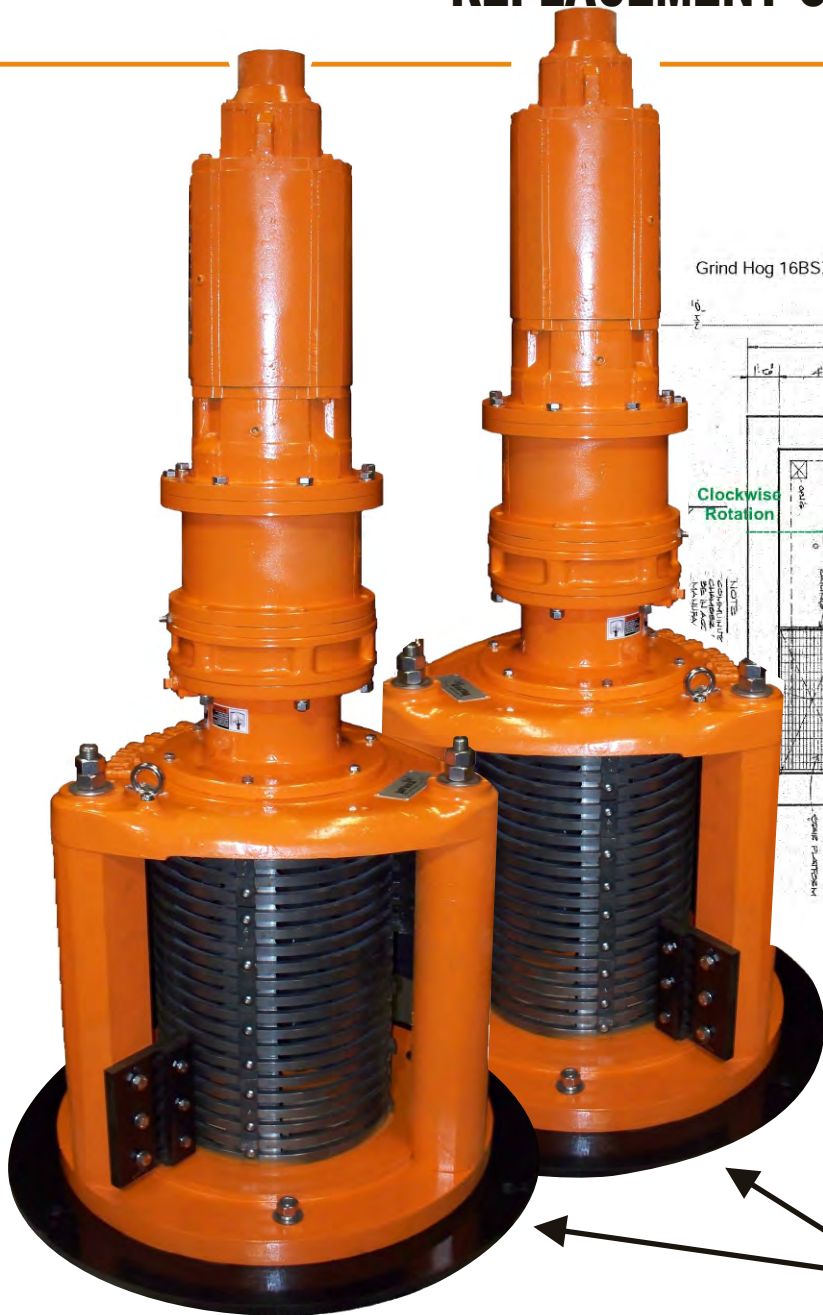


# Grind Hog<sup>TM</sup>

## BERLIN TURNPIKE PUMP STATION - BERLIN, CT

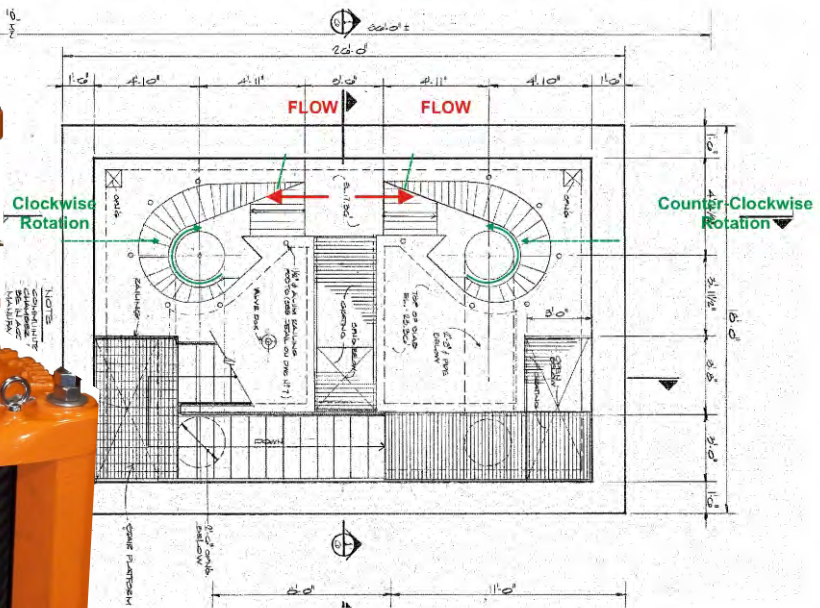


### REPLACEMENT OF CHICAGO PUMP 25A



CHICAGO PUMP 25A BASIN DETAIL

Grind Hog 16BSX Ser. 9151 Clockwise Rotation, Ser. 9152 Counter Clockwise Rotation



**Grind Hog<sup>TM</sup> 16BSX**  
One - Clockwise  
One - Counter-Clockwise

**Mounting Plates  
to Suit Existing Basins**